

◆ Características

Armonía y Bienestar: Elegancia y confort en un diseño alargado, ideal para toda la familia.

Eficientes y ecológicos: Sistema de descarga con consumo controlado de agua 4 y 6 litros.

Siempre Relucientes: Tecnología Rimless 360° para un lavado perfecto, sifón oculto para fácil limpieza, asiento de cierre lento y removible para mayor higiene.

Sin preocupaciones: Inversión duradera gracias a sus griferías de alto desempeño, fácil instalación y compatibles con las del mercado.

Ahorro en materiales de instalación: Incluye anillo de cera para una mejor instalación.



◆ Componentes

331080	Sanitario Cantábrico	36,4 kg
Inc	Asiento Cantábrico	1,4 kg
Inc	Kit Válvulas R&T	
Inc	Anillo de Cera	

◆ Colores Disponibles

331080	Blanco
--------	--------

◆ Normas y Estándares

Dimensiones de diseño e instalación que cumplen con las exigencias de las normas:

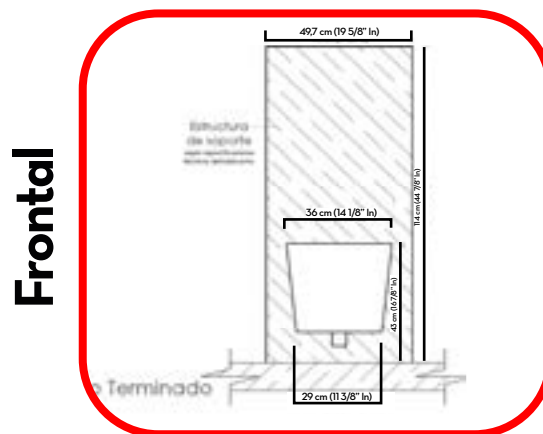
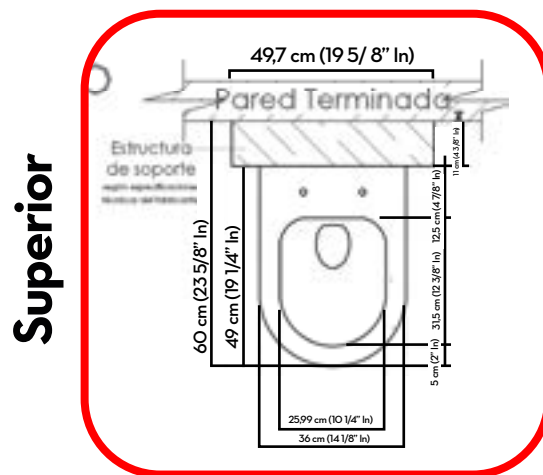
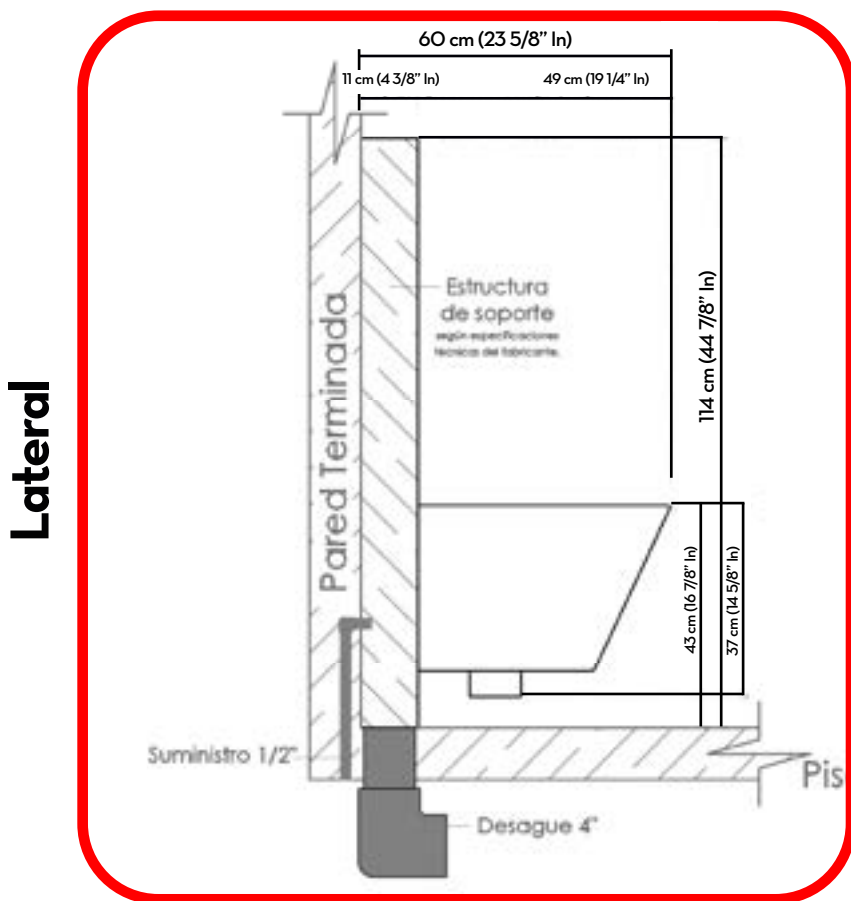
ASME A112.19.2-2013/CSA B45.1-13
NTP 333.028-1993
NTC 920



GARANTÍA INTEGRAL

Visite nuestro sitio web
para información detallada

◆ Especificaciones Técnicas



Material	Cerámica	Presión de agua	8 PSI (Presión Estática)
Tipo sanitario	One-piece	Consumo de agua	4 y 6 lpd
Forma taza	Alongada	Espejo de agua	15,0 x 20,0 cm
Anillo	Anillo de Cera	Capacidad Descarga	500 gramos
Sistema descarga	Botón 2ble D/Gravedad	Medida de instalación	30,5 cm
		Dimensiones del producto	370 x 360 x 490 mm

Notas

- ◆ Las dimensiones del gráfico son nominales y están expresadas en las unidades enunciadas.
- ◆ Tolerancia dimensional del producto $\pm 5\%$
- ◆ Instale este producto de acuerdo con las instrucciones de instalación entregadas por el proveedor.

Ficha Técnica

Cisterna Sanitario Susp G3008AA

Código: 331100



◆ Características

Cisterna para descarga en pared

◆ Componentes

331100	Cisterna Sanitario Susp	16.60 Kg
--------	-------------------------	----------

◆ Especificaciones Técnicas

Dimensiones del producto

1240x540x155mm

Peso del producto

16.60 Kg



◆ Normas y Estándares

Dimensiones de diseño e instalación que cumplen con las exigencias de las normas:

ASME A112.19.2-2013/CSA B45.1-13
NTP 333.028-1993
NTC 920

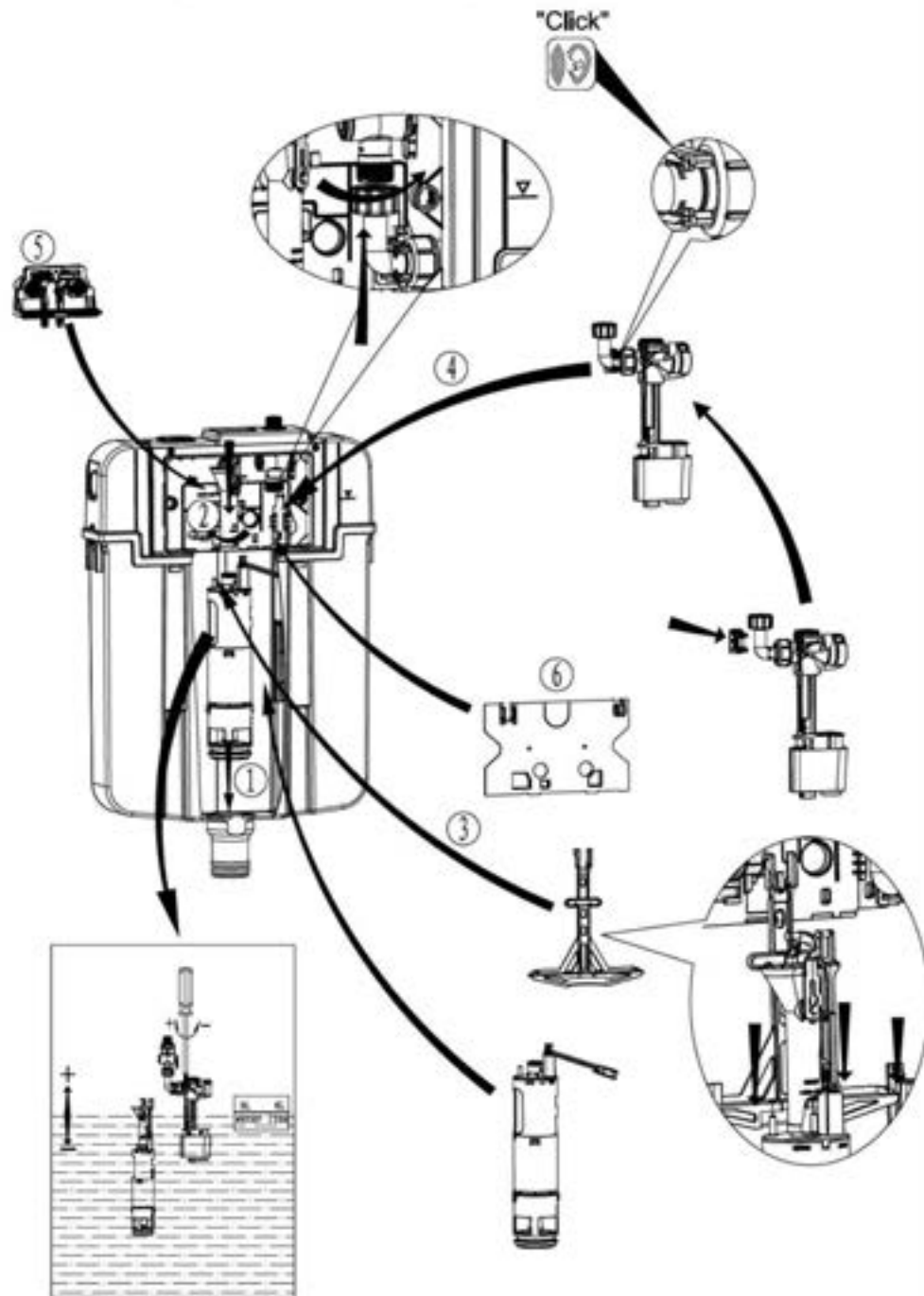


GARANTÍA INTEGRAL

Visite nuestro sitio web
para información detallada

R&T

10. Internal flushing mechanism assembly drawing



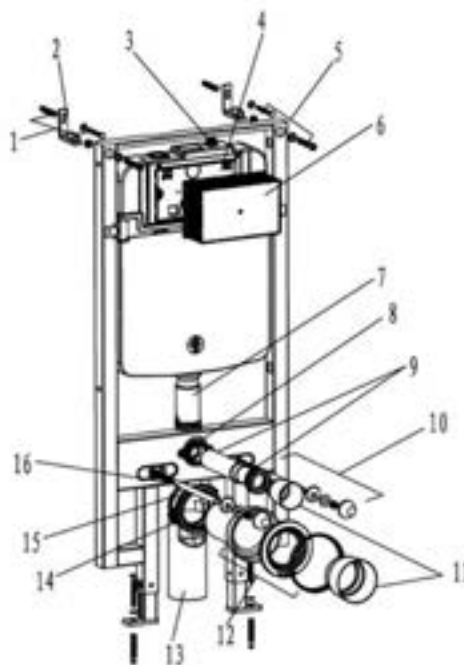
The internal flushing mechanism are already well-assembled and above picture only for reference.

ASGFA30081001A-1.0



Concealed Cistern

Installation Manual



List of main installation accessories

No.	Description	Qty	Function
1	Expansion screw	4	Fixation of frame
2	Wall bracket	2	
3	Angle valve	1	Fill valve Inlet and shut-off
4	Cistern cover	1	Mounting of locking bracket
5	Socket head screw	2	Mounting of frame and locking into wall bracket
6	Plastic holder	1	To reserve space for installation of actuator at wall building
7	Connecting tube	1	Water inlet to ceramic bowl
8	Fixing screws	2	To fix connecting tube
9	Flushing piping	1	To joint cistern into ceramic bowl (cutting in accordance with wall thickness)
10	Connecting screw	2	To mount ceramic bowl
11	Piping stopper	2	To reserve space for flushing piping at wall building To reserve space for discharging piping at wall building
12	Connecting pipe	1	To joint drain pipe into ceramic bowl (cutting in accordance with wall thickness)
13	Draining syphon	1	To discharge liquid and solid waste from ceramic bowl
14	Mounting bracket	1	
15	Draining syphon holder	1	To mount draining syphon
16	Protective cover	2	To protect connecting screw at wall building



R&T

Important instruction:

1. Please adhere to the following installation instructions. We shall not be responsible for failures and loss that are contributed to improper installation.
2. Please confirm the fixation location of cistern prior to installation and obtain the finished floor surface. Draw FFL on installation wall and follow it as baseline from ZERO (0) level.
3. The instructions have been composed based in the latest product specifications. We reserve the right to make modifications to the packaging and specifications without providing prior notification.

NOTES:

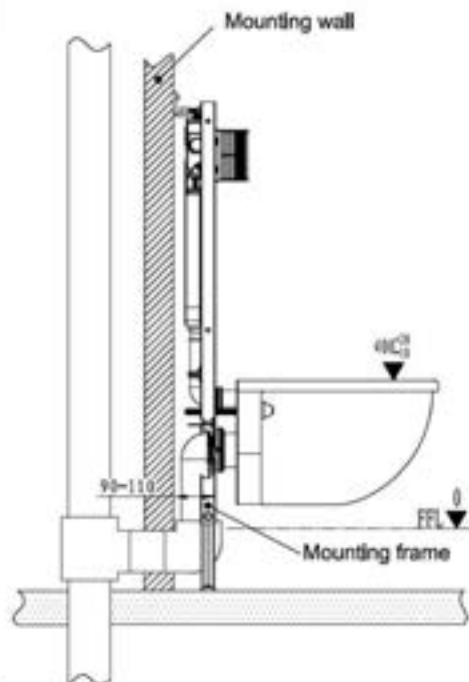
1. Mount before bricks building.
2. All size unit in MM.
3. Follow the material product, should there is an unconfornity with drawing.

⚠ FFL ↓ = Finished Floor.

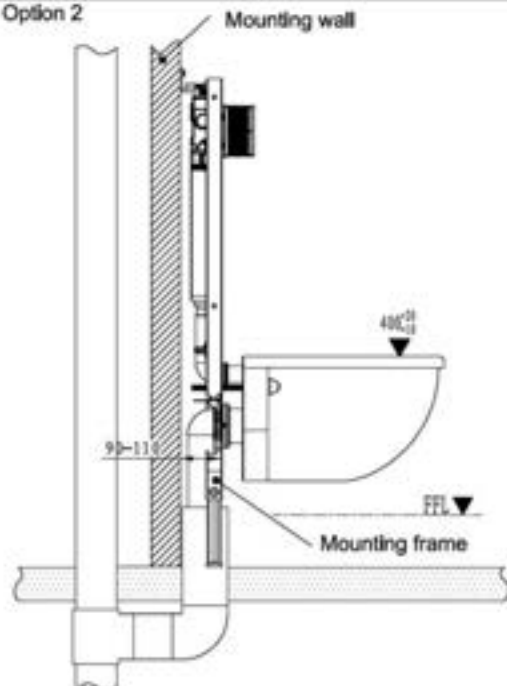
1. Drainage System Layout

Drawing 1 to 3 are three different installation systems for drain pipe. Customer should confirm whichever installation system according to drainage outlet position. If drainage outlet does not fall within the three systems, customer should follow one of three drainage system layout to correspond installation of our concealed cistern.

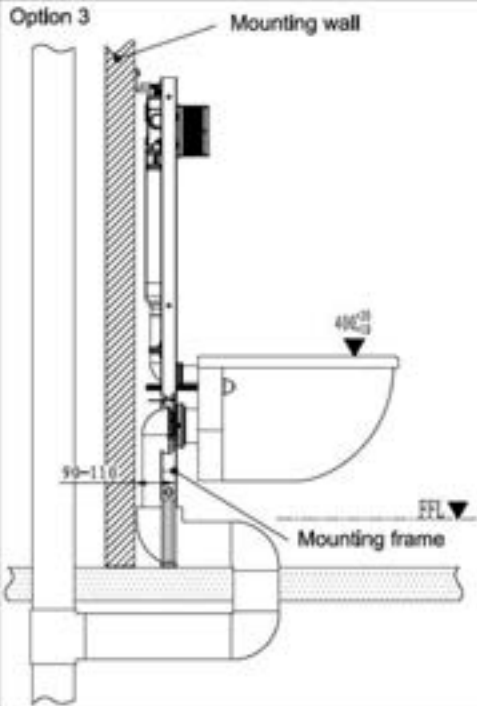
Option 1



Option 2

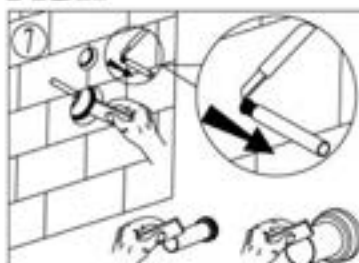


Option 3





R&T



7
Cut the protection sleeve outside of the wall with a knife.
Apply lubricant on joint surface of straight tube and connecting pipe.



8
Adjust length of connecting bolt to be $d+20\text{mm}$.



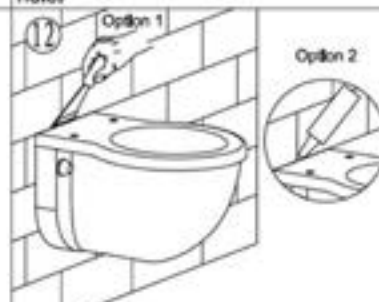
9
Firstly insert connecting pipe into discharging outlet and straight tube into ceramic hole.



10
Mounting the ceramic bowl.



11
Screw the bowl and remove the extra pad.

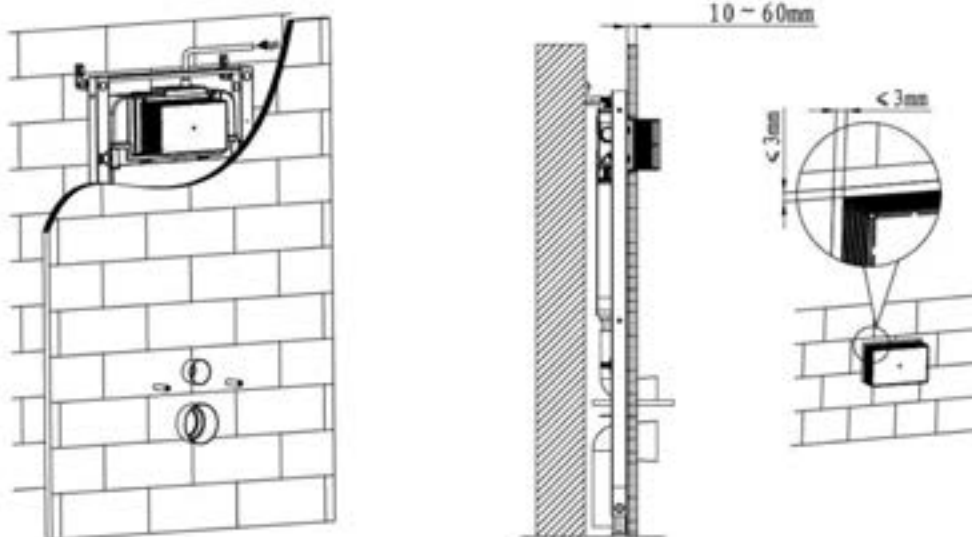


12
Fill the gap with white cement or glass cement.

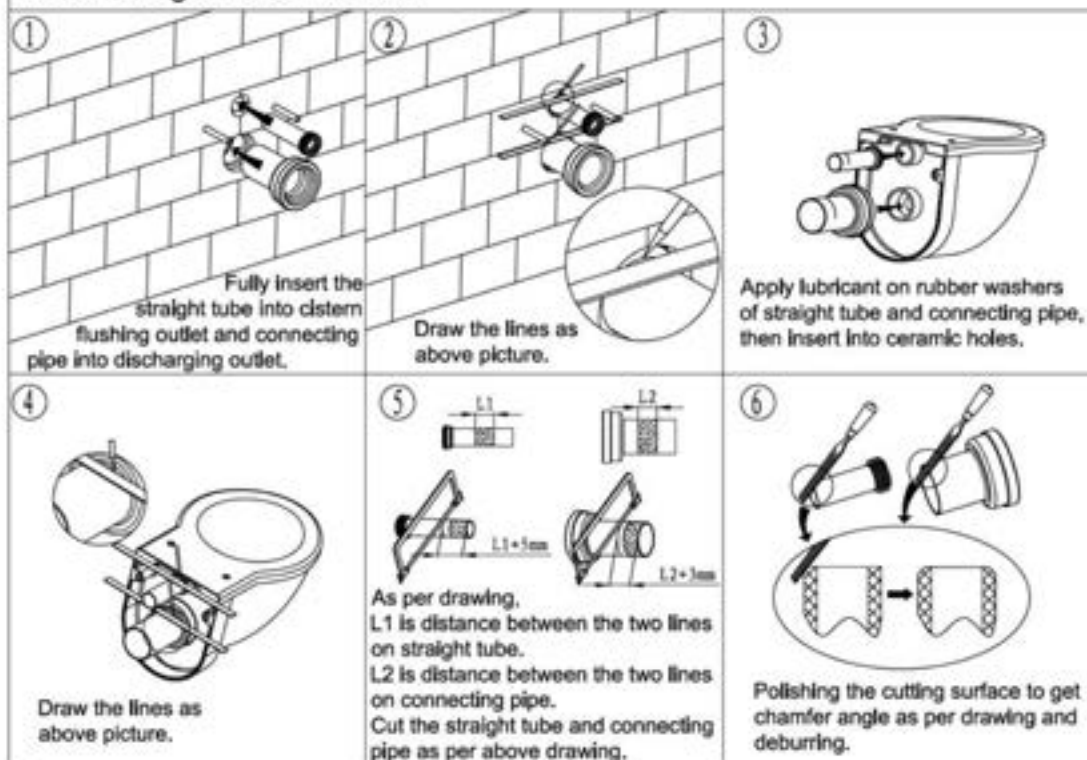


R&T

8. Wall thickness ranges between 10~60 mm
(From the outer surface of cistern to the finished wall)



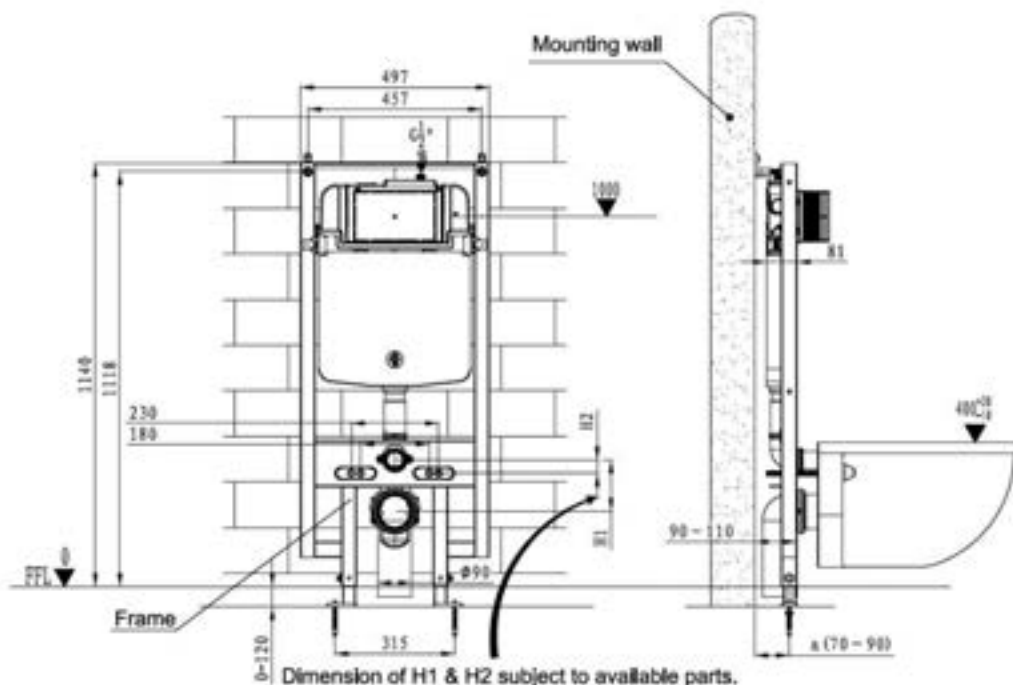
9. Mounting of ceramic bowl





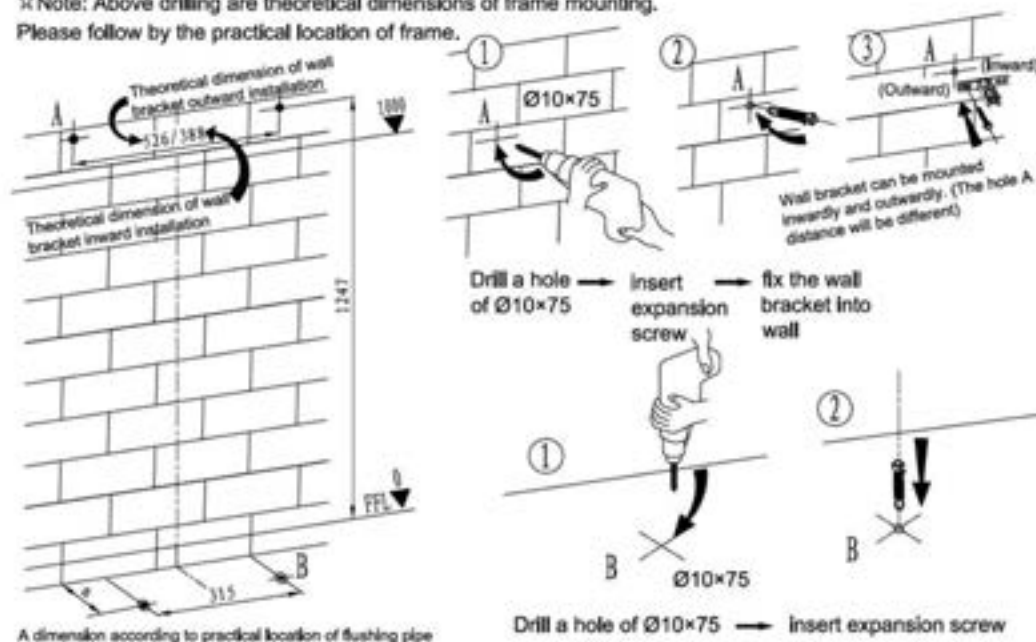
R&T

2. General dimension and water supply drawing



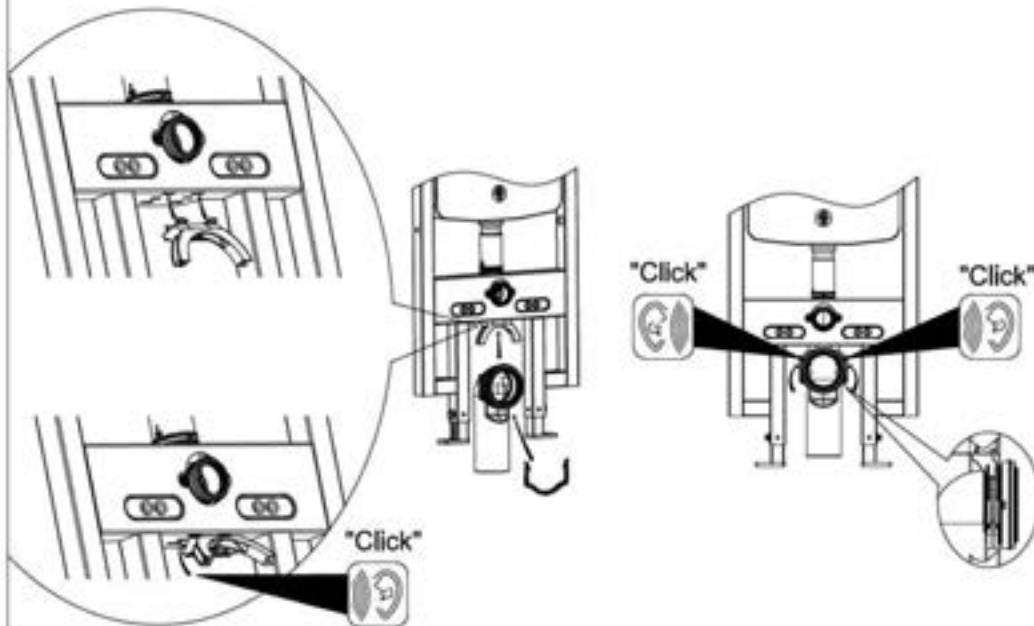
3. Drill the holes and insert the expansion bolt

☆ Note: Above drilling are theoretical dimensions of frame mounting.
Please follow by the practical location of frame.

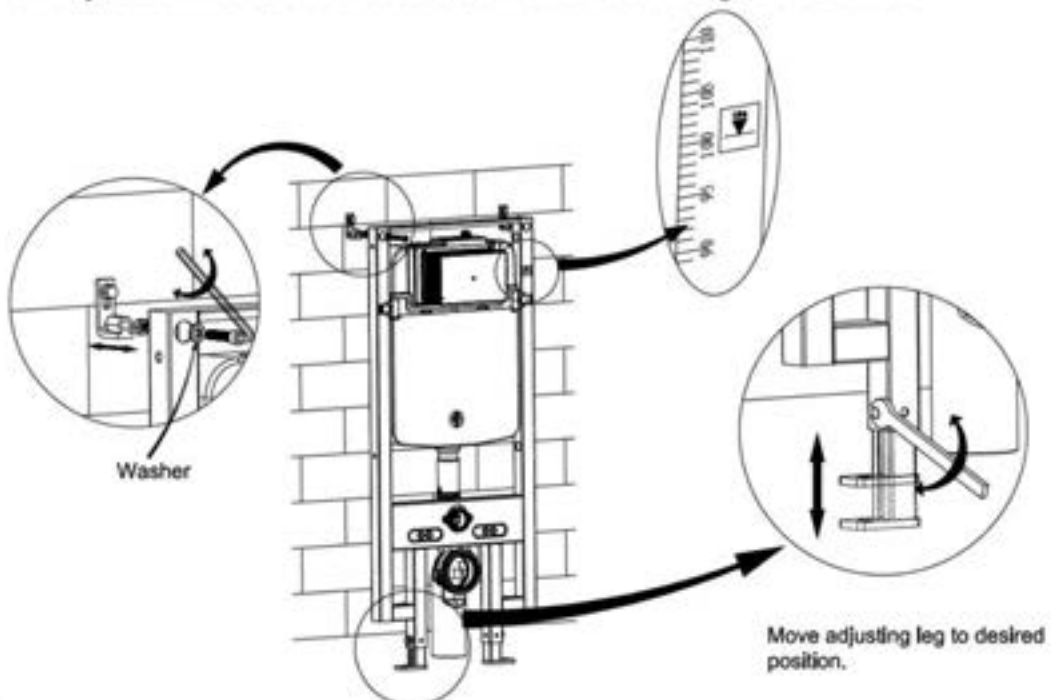


R&T

4. Installation of draining siphon



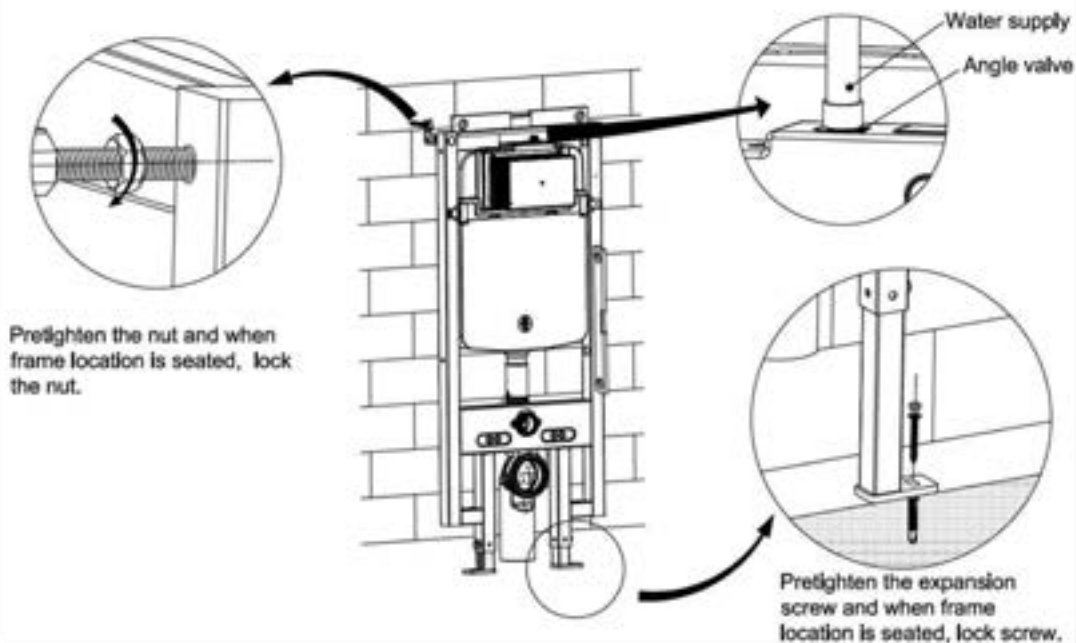
5. Adjustment of socket head screw and floor fixing accessories





R&T

6. Adjust the frame, then fix it, and install water supply



7. Mounting of installation accessories

